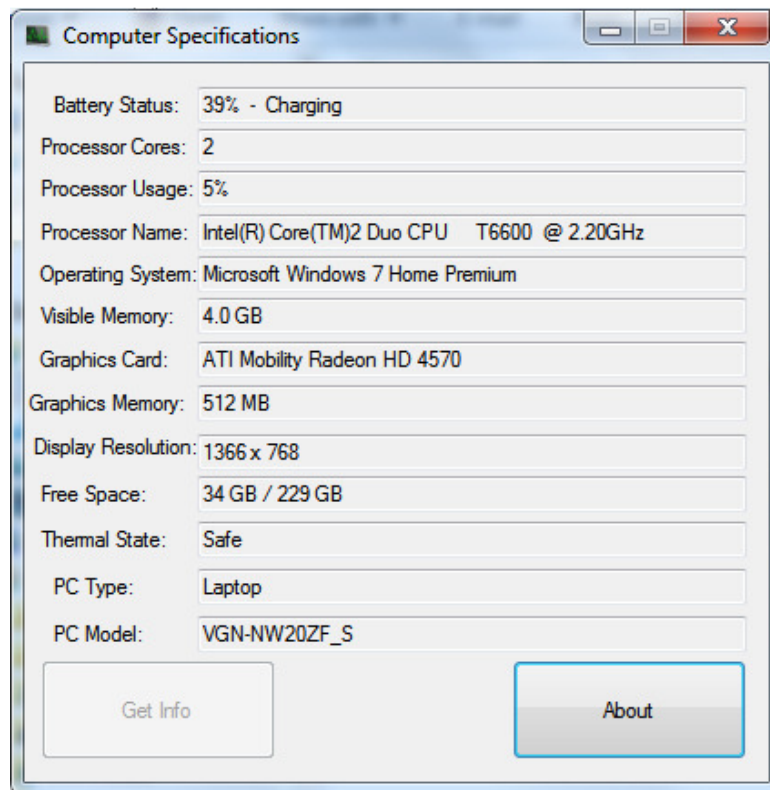


INFORMATION COMMUNICATION TECHNOLOGY**G.C.E. Ordinary Level****Grade 10****Duration: 90 minutes****Answer All Questions**

1. Give Short & exact answers

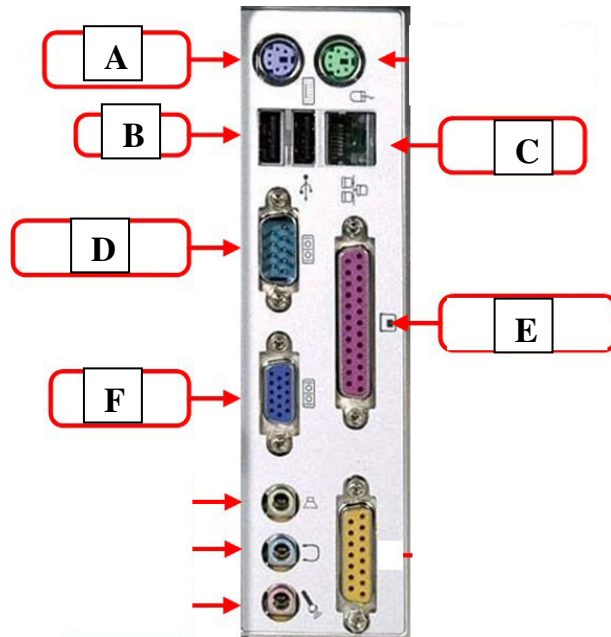
- i. Explain Data & Information by using one sentence.
- ii. What are the basic functions of a computer?
- iii. What is the Primary memory of a computer?
- iv. What are the two types of printers?
- v. What do the Letters PDA stand for?
- vi. Write 3 examples for Word processing software.
- vii. Classify computers according to their size.
- viii. Give 3 examples of Micro Computers.

2. Following figure shows Computer specification indicated from a software installed in it. Answer the questions.



- i. What is the clock rate of the CPU?
- ii. What is the capacity of main memory of this computer?
- iii. Suggest the capacity of the Secondary storage?
- iv. What is the size of Video memory?
- v. What do you understand by SATA? briefly explain.

3. Name the ports of figure given below and write a device that can connect to the port



A - _____

Devices: _____

B - _____

Devices: _____

C - _____

Devices: _____

D - _____

Devices: _____

E - _____

Devices: _____

F - _____

Devices: _____